



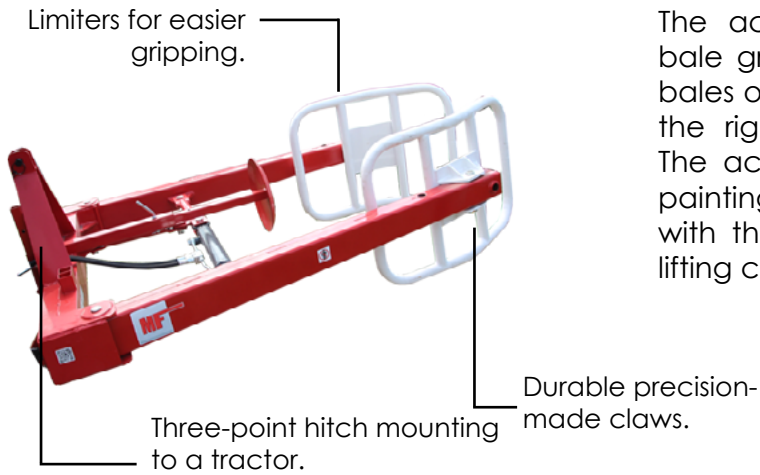
METAL-FACH



Front loader accessories



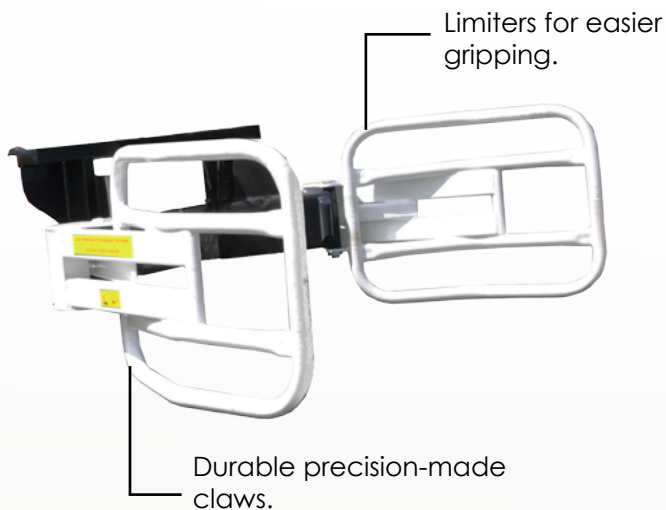
T225 SOKÓŁ bale grip



The accessory with numerous advantages. The bale grip picks up, transports, unwinds and loads bales on bale wrappers. The hydraulic lock ensures the right clamping pressure during transporting. The accessory features a durable coat. Powder-painting method. The product requires a tractor with the min. power output of 30 kW. Maximum lifting capacity: 700 kg.

Technical specification	Weight of accessories [kg]	Length [mm]	Width [mm]	Height [mm]	Lifting capacity [kg]	Tractor power output [kW]
T225 bale grip	270	2260	1520	700	700	min. 30

Bale grip



The bale grip is intended for transporting bales of straw, hay and silage. Equipped with one cylinder. The arms are installed in the floating system, i.e. the arms open and close at different speeds which enables the grip to leave the bale stack without damaging the adjacent bales. Solid and precision-made claws enable safe transporting of film-wrapped bales. Optional EURO/SMS mounting available. Durable powder-painting coat.

Technical specification	Weight of accessories [kg]	Width [mm]	Load capacity [kg]
Bale grip	183	1000-1400	600



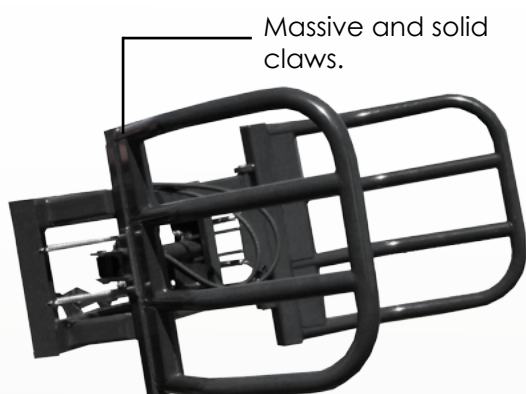
Bale grip „light”



The bale grip is intended for transporting bales of straw, hay and silage. Equipped with one double-action cylinder and a special strut to guarantee simultaneous opening and closing of both arms. The light structure of claws reduces the machine weight for better stability of the tractor. Durable powder-painting coat.

Technical specification	Weight of accessories [kg]	Width [mm]	Load capacity [kg]
Light bale grip	151	850-1400	500

Bale grip „heavy”



The bale grip is intended for transporting bales of straw, hay and silage. Equipped with one cylinder. The arms are installed in the floating system, i.e. the arms open and close at different speeds which enables the grip to leave the bale stack without damaging the adjacent bales. More massive construction for working in more difficult conditions and with heavier bales.

Technical specification	Weight of accessories [kg]	Width [mm]	Load capacity [kg]
Heavy bale grip	186	950-1600	900



Multifunctional grip



Multifunctional grip is intended for picking, transporting and loading bales on trailers. Its multi-purpose design allows bale transporting by gripping or piercing with forks as well as easy loading and unloading of silage bales. The installed guards facilitate loading of wrapped bales without piercing or ripping the film. The grip can easily hold up to three bales of hay or silage. The fork guards are easy to disassemble. Bales can be grabbed horizontally or vertically.

Technical specification	Weight of accessories [kg]	Gripping width [mm]	Load capacity [kg]
Bale grip	200	605-1785	800

Expandable grip

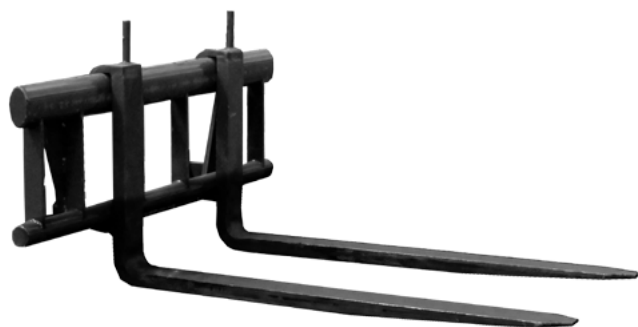


The new addition to Metal-Fach's product range is an advanced and handy expandable grip. The grip can be mounted on the tractor's front or rear. The grip is driven by coupling with the tractor's hydraulic system. The maximum lifting capacity is 700 kg. The lifting height is nearly 3 m. The grip's weight is 300 kg. The grip may be mounted on a front loader. What is important, the grip can stack bales both vertically and horizontally and build stacks up to 6 bales high. This is enabled by a front loader and a special adapter frame. The grip can be operated on tractors without a front loader by mounting on the three-point hitch - either front or rear.

Technical specification	Maximum load capacity [kg]	Lifting height [mm]	Operating pressure	Grip weight [kg]	Working speed [km/h]	Transport speed [km/h]
Expandable grip	700	2990 + front loader or TPH lifting height	16	300	10	15



Pallet fork



The pallet fork is intended for safe and quick transporting of pallets. The adjustable working width ensures high versatility of the device. The fork grips are made from special spring steel characterised by its high strength; the grips are additionally bent during the manufacturing process to ensure high endurance and durability. Optional EURO/SMS mounting available. Durable powder-painting coat.

Technical specification	Length [mm]	Width [mm]	Lifting capacity [kg]	Weight of accessories [kg]
Pallet fork	1200	1400	1000	195

Combined pallet fork with spikes



Dual-purpose accessory for front loaders for transporting both pallets and straw bales. Available in two versions: OL.REZ 1.2 E with 195 kg of weight and OL.REZ 1.4 E with 200 kg of weight. Each fork features two 1.1 m long spikes. This universal front loader accessory comes with the EURO mounting system. Thanks to its special design, the pallet slide function can be quickly changed by replacing the forks with the spikes to transport straw bales. Up to 5 straight 1.1 m long spikes can be assembled. The 1.2E version is 1.2 m wide, and the 1.4E version is 1.4 m wide. The maximum loading capacity with the pallet forks is 1000 kg.

Technical specification	Length [mm]	Width [mm]	Lifting capacity [kg]	Weight of accessories [kg]
Combined pallet fork with spikes	1200	1400	1000	200
		1200		195



Timber grip mounted on MF fork carriage



Timber grip is mainly intended for forestry and saw mill applications. The device can swiftly pick timbers from storage, load them on transport vehicles, or simply transport them from one place to the other. The appropriate construction of the grip and the mounts permit quick and easy assembling and disassembling on and from the MF fork. The handled timber is pressed against the forks with a moving arm, operated by a hydraulic cylinder connected via quick-release couplings to the front loader's solenoid valve.

Technical specification	Load capacity [kg]
Timber grip	1000

KRAB timber clamp

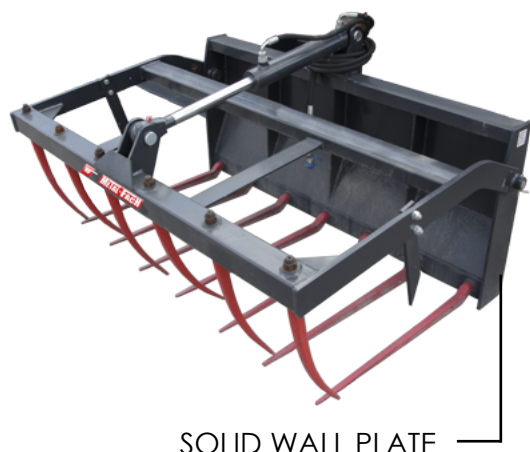


The KRAB timber clamp is mainly intended for forestry and saw mill applications. The device can swiftly pick timbers from storage, load them on transport vehicles, or simply transport them from one place to the other. The handled timber is pressed against the forks with a moving arm, operated by a hydraulic cylinder connected via quick-release couplings to the front loader's solenoid valve.

Technical specification	Weight of accessories [kg]	Width [mm]	Height [mm]	Suspension
KRAB timber clamp	250	1100	1105	EURO



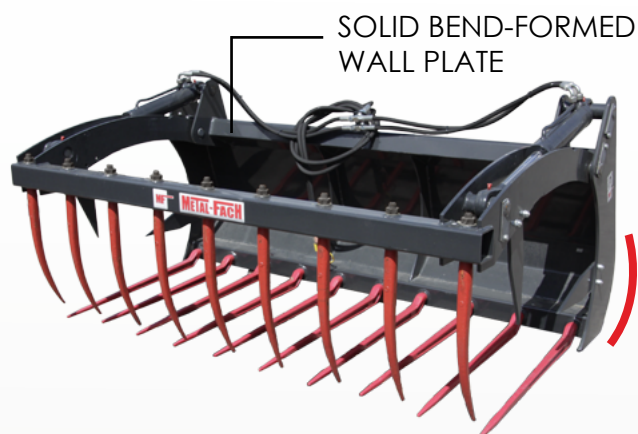
Manure grip



Manure grips are intended for transporting manure and maize. Solid and durable construction ensures safe and long use. High-power hydraulic cylinders are installed to ensure the correct compression of material. One or two hydraulic cylinders can be installed. The solid back wall protects the material against falling out during transportation. The forged teeth are extremely durable. The large opening angle of the moving frame is a great attribute. Wide range of working widths, 1.2, 1.5 and 1.8 m, means that you will find all the necessary accessories.

Technical specification	Width 1.2 m	Width 1.2 m	Width 1.5 m	Width 1.5 m	Width 1.8 m
Number of cylinders	1	2	1	2	1
Weight of accessories	216 kg	250 kg	242 kg	275 kg	305 kg
Capacity	0.55 m ³	0.55 m ³	0.68 m ³	0.68 m ³	0.82 m ³
Load capacity	500 kg	500 kg	650 kg	650 kg	800 kg

Type Q manure grip

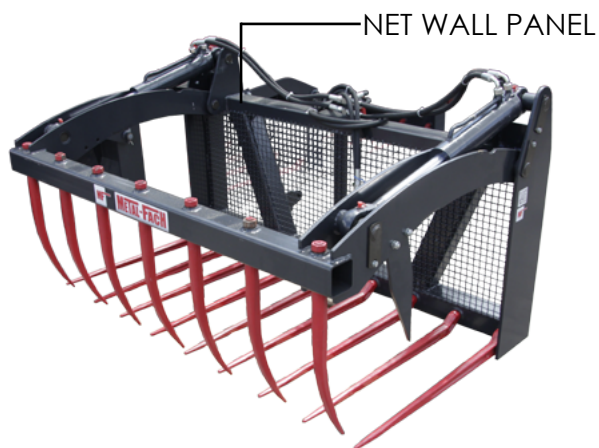


Silage grips are intended for transporting manure and maize. The new Type Q manure grip features the back wall made of a solid metal plate. Three variants are available with different width, loading capacity and weight. Equipped with two cylinders. The grip width ranges from 1.2 m to 1.8 m. The widest version can handle up to 800 kg of hay silage.

Technical specification	Width 1.2 m	Width 1.5 m	Width 1.8 m
Weight of accessories	285 kg	325 kg	360 kg
Capacity	0.56 m ³	0.71 m ³	0.86 m ³
Load capacity	500 kg	650 kg	800 kg



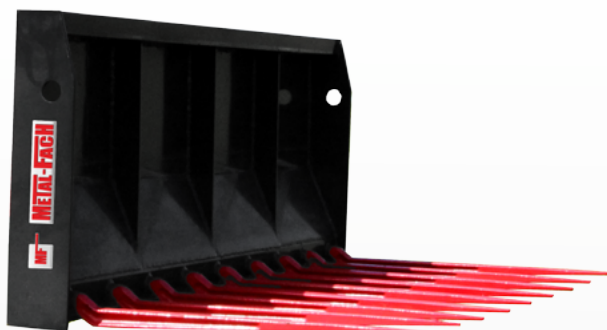
Type Z manure grip



Manure grips are intended for transporting manure and maize, among others. The manure grip is mounted on the front loaders. Equipped with two cylinders. This model is available in three width sizes: 1.2 m, 1.5 m and 1.8 m. The load capacity depends on the size version and ranges from 500 to 800 kg. The back wall panel of this new Metal-Fach Type Z model is made from a specially designed net.

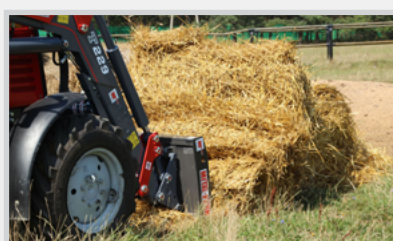
Technical specification	Width 1.2 m	Width 1.5 m	Width 1.8 m
Weight of accessories	235 kg	265 kg	295 kg
Capacity	0.55 m ³	0.66 m ³	0.80 m ³
Load capacity	500 kg	650 kg	800 kg

Manure & hay fork



The manure fork is intended for transporting manure as well as hay, straw and ensilage bales. Solid construction ensures comfortable and safe operation, while the solid back wall protects the material against falling out during transportation. The available range of working widths (1.2 m, 1.5 m and 1.8 m) means that you will find all the accessories you need. The forged teeth are extremely durable.

Technical specification	Width 1.2 m	Width 1.5 m	Width 1.8 m
Weight of accessories [kg]	130	150	172
Capacity [m ³]	0.27	0.34	0.41
Load capacity [kg]	500	650	800
Number of spikes	6	7	9



Type Q manure & hay fork



Metal-Fach has added a new and improved fork for manure and hay transporting to its product range. Type Q is available in different width ranging from 1.2 m to 1.8 m. The fork's loading capacity varies from 500 kg to 800 kg. A specific feature of the accessory is the solid bend-formed wall panel.

Technical specification	Width 1.2 m	Width 1.5 m	Width 1.8 m
Weight of accessories [kg]	160	185	210
Load capacity [kg]	500	650	800
Number of pins	7	9	10

Type Z manure & hay fork



The manure fork is intended for transporting manure as well as hay, straw and ensilage bales. The new Type Z fork model is unique thanks to its lightweight structure constructed from net wall panels. This model is available in two width sizes: 1.5 m and 1.8 m.

Technical specification	Width 1.5 m	Width 1.8 m
Weight of accessories [kg]	128	145
Capacity [m ³]	0.34	0.41
Load capacity [kg]	650	800
Number of spikes	9	11



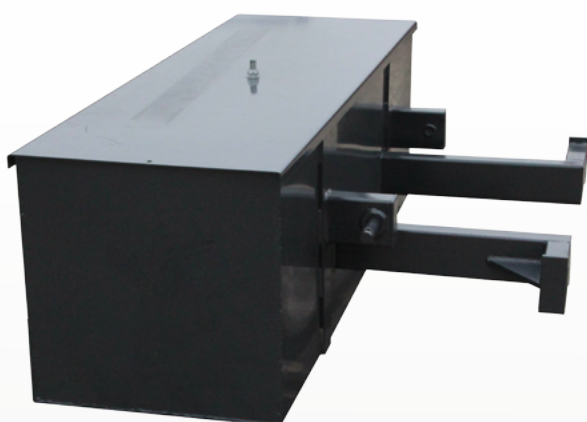
Bale fork



The bale fork is intended for transporting hay, straw and ensilage bales. The solid triple fork ensures safety at work. The forged teeth are extremely durable. Different teeth placement configuration is possible. Optional EURO/SMS mounting available. Durable powder-painting coat.

Technical specification	Weight of accessories [kg]	Load capacity [kg]	Number of spikes (bottom/ top frame)	Spike spacing (bottom/ top frame)
Bale fork	55	1000	3	760/230

Weight box



A ballast for tractors. This accessory stabilises tractors working with front loaders and under a heavy load of handled material. Weight box reduces pressure on wheels and front axles what increases their endurance.

Technical specification	Load capacity [kg]	Capacity [m ³]	Load capacity [kg]
Weight box	125	0.35	650



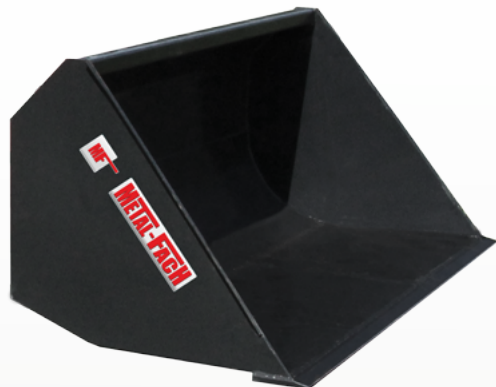
Bulk material bucket



Bulk material buckets are available in the working width range from 1.2 to 2.4 m and feature solid construction; it is reinforced by additional middle ribs, side bosses and a longitudinal reinforcing beam. Special attention has been given to precise workmanship of the share. The share is made from wear resistant material. Optional EURO/SMS mounting available. Durable powder-painting coat.

Technical specification	Weight of accessories [kg]	Capacity [m ³]	Load capacity [kg]
Bulk material bucket 1.2 m	144	0.38	650
Bulk material bucket 1.5 m	164	0.48	800
Bulk material bucket 1.8 m	194	0.57	950
Bulk material bucket 2.0 m	207	0.64	1050
Bulk material bucket 2.2 m	225	0.7	1150
Bulk material bucket 2.4 m	243	0.76	1300

BIG bulk material bucket



The bulk material bucket is a solid accessory available in the working width range from 1.4 m to 2.2 m. Its large capacity makes the accessory ideal for transporting light bulk materials, namely grain or fertilizers. The backwards-tapered shape facilitates scooping the material and filling the bucket fully. The share is made from wear resistant material. EURO mounting as standard. Durable powder-painting coat.

Technical specification	Weight of accessories [kg]	Capacity [m ³]	Load capacity [kg]
BIG bulk material bucket 1.4 m	155	0.45	750
BIG bulk material bucket 1.7 m	183	0.56	950
BIG bulk material bucket 2.0 m	214	0.67	1050
BIG bulk material bucket 2.2 m	226	0.74	1250



Peat bucket

The bucket is intended for transporting peat. Features reinforced side walls. Durable powder-painting coat. EURO mounting as standard.



Technical specification	Weight of accessories [kg]	Capacity [m ³]	Load capacity [kg]	Depth	Height [mm]
Peat bucket 2.4 m	560	1.55	500	1352	844

4in1 bucket



The bucket is intended for picking, loading and transporting various materials. The accessory facilitates earth work and reloading of scooped material. The device can also carry the load at short driving distances. The accessory is intended for agriculture, forestry and community services. The Hardox wear-resistant shares assure long life of the machine. Mounted mobile section of the bucket, operated with two hydraulic cylinders, allows a wide opening angle.

Technical specification	Weight of accessories [kg]	Width [mm]	Capacity [m ³]
4in1 bucket 1.8 m	380	1800	0.50
4in1 bucket 2.0 m	430	2000	0.58



High-tipping bucket



Capable of lifting up to 650 kg, the new high-tipping bucket is very useful for high-level unloading of various bulk products, e.g. grain or wood chips. This feature will be very handy to those farmers who need a machine for loading high trailers or grain silos. The bucket is discharged by tipping it with the front share. The new high-tipping rotating bucket weights over 500 kg. The maximum capacity available is 1.6 m³. The accessory can lift 650 kg of load. Designed by Metal-Fach's engineers, the bucket is 2.3 m wide.

Technical specification	Width [mm]	Weight of accessories [kg]	Load capacity [kg]	Capacity [m ³]
High-tipping bucket	2300	550	650	1.60

Grab bucket



Grab buckets are intended for transporting small grain fractions or semi-liquid elements of manure. The bulk material buckets are available in the working width of 1.5 and 1.8 m and feature solid construction; the rigid structure is reinforced by additional middle ribs, side bosses and a longitudinal reinforcing beam. The precision-made share has been manufactured with extra care and welded to the accessory structure. Two high power hydraulic cylinders are used to obtain correct compression of material. The forged teeth are extremely durable. Optional EURO/SMS mounting available.

Technical specification	Weight of accessories [kg]	Capacity [m ³]	Load capacity [kg]	Number of spikes (bottom/top frame)	Spike spacing (bottom/top frame)
Grip bucket 1.5 m	300	0.77	800	6	290
Grip bucket 1.8 m	335	0.92	950	8	250



Type Q grab bucket



Metal-Fach has added a completely new grab bucket model to its product portfolio. The product's appearance and its technical features have been changed. The bucket is available in two width versions: 1.5 m and 1.8 m. This model's loading capacity varies from 800 to 950 kg. The bucket side guard panels can be removed for easier transporting of long materials. This handy solution will certainly find many applications on any farm.

Technical specification	Weight of accessories [kg]	No. of prongs [mm]	Capacity [m ³]	Load capacity [kg]
Grab bucket 1.5 m	320	7	0.48	800
Grab bucket 1.8 m	345	9	0.58	950

Bulk material bucket



The new bulk material bucket for grain transporting is available in two working width versions. The OL.LK4 1.8 is 1.8 m wide. This variant weighs 265 kg. The bucket sides are tilted at 6 degrees toward the mouth to facilitate scooping and transporting. The bucket can carry up to 1 cubic metre of load. The OL.LK4 2.0 version is the big brother in this family of accessories. The bucket's width is 2.0 m. The size increases the volume capacity to 1.1 m³. Larger size means higher weight, which is 285 kg. Not unlike the smaller version, the bigger bucket also features the sides tilted at 6 degrees. Both products are lightweight and versatile. The buckets are not suited for grain transporting only; they can work with any light bulk materials, e.g. sawdust or wood chips.

Technical specification	Width [mm]	Weight of accessories [kg]	Capacity [m ³]
Bucket	1800	265	0.48
Bucket	2000	285	0.58



Silage cutter



The silage cutter is intended for picking ensilage from storage place. Solid, durable construction ensures safe and long operation. Equipped with two cylinders that guarantee high pressure of material pressing/cutting. The blades are made of high grade steel. The large number of spikes ensures adequate durability and their dense spacing prevents the handled product from falling out. Equipped with additional 2 spikes with side reinforcements. Optional EURO/SMS mounting available.

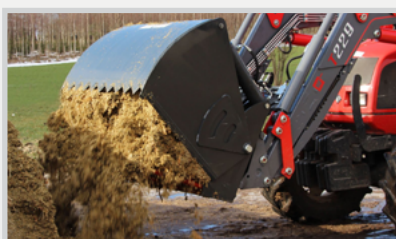
Technical specification	Weight of accessories [kg]	Capacity [m ³]	Load capacity [kg]	Number of spikes (bottom/ top frame)	Spike spacing (bottom/ top frame)
Silage cutter 1.2 m	415	0.55	750	9	140
Silage cutter 1.5 m	560	0.7	900	13	118

Fertiliser Big Bag lifter



The lifter comes in useful when you need to handle heavy big bags with animal feed around the farm or semi-finished products at a manufacturing plant. The accessory is coupled with Metal-Fach front loaders. The device is compatible with other front loader brands that feature EURO mounts. The product makes your work faster and safer. The solid construction guarantees full safety.

Technical specification	Weight of accessories [kg]	Load capacity [kg]
Big bag lifter	75	1000



LIGHT snow plough



A simple and versatile accessory for any household. The device is intended for snow clearing of pavements, parking lots and yards. The mounting is quick and easy with EURO adapters and a three-point hitch system, both front and rear. Features easy and comfortable snow-ploughing angle adjustment. The bottom edge rubber strip absorbs shocks from uneven surfaces.

Technical specification	Working width [mm] Max/min mouldboard height	Share turning - control - left and right turn	Length / width / height [mm]	Hitch/mount type	Weight [kg]
Lightweight snow plough	2200 / 2070 / 830	- mechanical linkage - 30° max	850 / 2200 / 830	EURO frame mount; TPH	240

SPRING snow plough



A simple and versatile accessory for any household. The device is intended for snow clearing of pavements, parking lots and yards. The mounting is quick and easy with EURO adapters and a three-point hitch system, both front and rear. The safety suspension springs prevent damage from high-force impact and feature tension adjustment. The bottom edge rubber strip absorbs shocks from uneven surfaces. The snow-ploughing angle is power adjusted by the hydraulic system controlled with the front loader joystick in the tractor cab.

Technical specification	Working width [mm] Max/min mouldboard height	Share turning - control - left and right turn	Length / width / height [mm]	Hitch/mount type	Weight [kg]
Spring snow plough	2200 / 1940 / 730	- hydraulic power gear - 30° max	960 / 2200 / 930	EURO frame mount; TPH	270

MULTI snow plough



A simple and versatile accessory for any household. The device is intended for snow clearing of pavements, parking lots and yards. The mounting is quick and easy with EURO adapters and a three-point hitch system, both front and rear. The bottom edge rubber strip absorbs shocks from uneven surfaces. Removable top steel strip. The snow-ploughing angle is power adjusted by the hydraulic system controlled with the front loader joystick in the tractor cab.

Technical specification	Working width [mm] Max/min mouldboard height	Share turning - control - left and right turn	Length / width / height [mm]	Hitch/mount type	Weight [kg]
MULTI snow plough	2200 / 1910 / 900	- hydraulic power gear - 30° max	980 / 2200 / 900	EURO frame mount; TPH	340

Metal-Fach Sp. z o.o. continuously improves its products and adapts them to suit the customers' needs; hence we reserve the right to modification without prior notice. Before making your purchase decision, contact an authorised dealer or Metal-Fach sales representatives. Metal-Fach Sp. z o.o. rejects all claims related to the data and photographic material contained in this price list. This offer is not a commercial offer as construed under the Polish Civil Code.

The illustrations may include non-standard accessories.

Original spare parts are available from authorised dealers and the Metal-Fach company store.